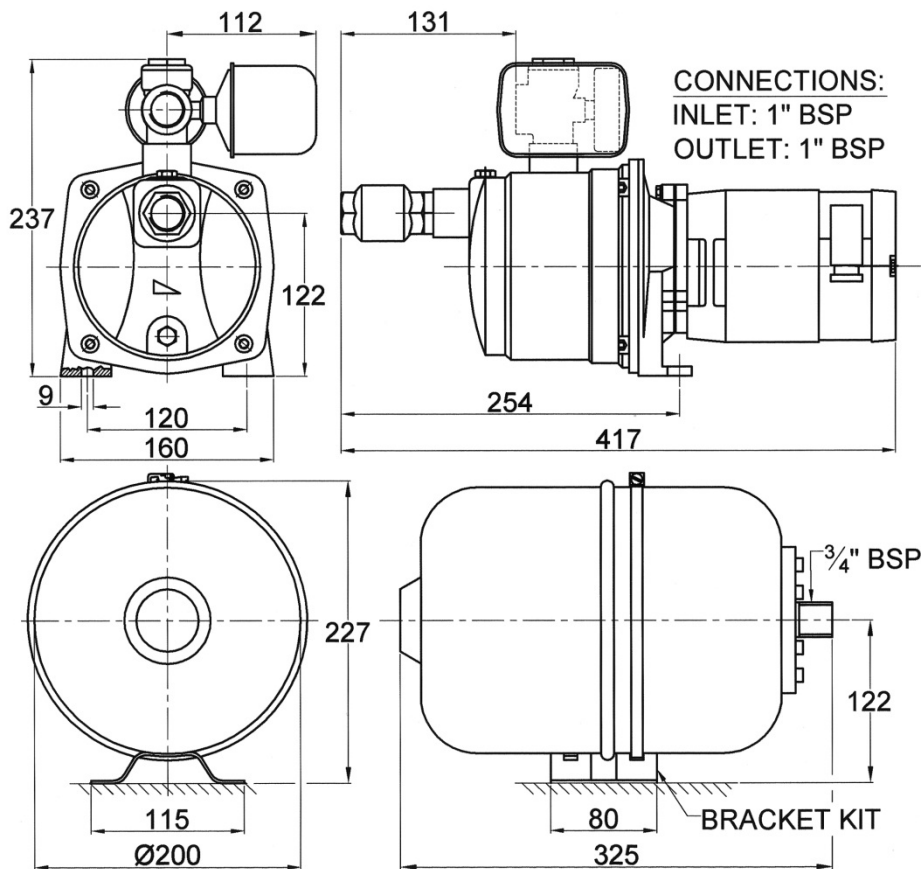


Complete self-priming system with heavy duty adjustable pressure switch, pressure gauge, and separate 8 litre accumulator tank with mounting bracket



CONSTRUCTION:

Pump casing: AISI304 stainless steel
 Impeller: Polymer
 Shaft: AISI316 stainless steel
 Shaft seal: mechanical carbon ceramic
 Accumulator tank: painted steel, with rubber membrane
 Acc tank bracket: plated steel with stainless steel strap

WEIGHTS:

Pump: 7.25 kg
 Accumulator tank: 3.4 kg

MOTOR:

0.3Kw 24 volt d.c.
 Full load current: 16 amps
 Recommended fuse: 25 amps
 Enclosure: IP22 Insulation class F
 Noise level: As low as 55dB(A)

PERFORMANCE:

Output: up to 50 litres/minute (11 gallons/min) open flow
Pressure switch: cuts in at 1 bar (15psi) cuts out at 2 bar (29psi)
Accumulator tank: nominal capacity 8 litres
 working volume approx 4 litres

DOC529/11

CLEGHORN WARING

CW332

**24 VOLT D.C.
PRESSURISED
WATER SYSTEM
for boats**



- ◆ Stainless steel jet centrifugal pump
- ◆ Delivers up to 50 litres/minute
- ◆ Pressures up to 2.5 bar (37 psi)
- ◆ Virtually silent running
- ◆ Compact installation
- ◆ For heavy use on larger vessels
- ◆ Separate accumulator tank with bracket

Xylem Water Solutions UK Ltd
 Bingley Road
 Hoddesdon
 Hertfordshire • EN11 0BU • UK

Telephone: +44 (0)1462 480380
 Fax: +44 (0)1462 482422
 mail@cleghorn.co.uk
 www.jabscoshop.com

xylem
 Let's Solve Water